

27 September 2008

The Executive Board of the Clean Development Mechanism
UNFCCC Secretariat
Bonn, Germany

Submit through DNV Certification
International Climate change Services

Response to request for review 'Project for HFC23 Decomposition at Limin Chemical Co., Ltd. Linhai, Zhejiang Province, China' (Ref. no. 0550)

Dear Members of the CDM Executive Board,

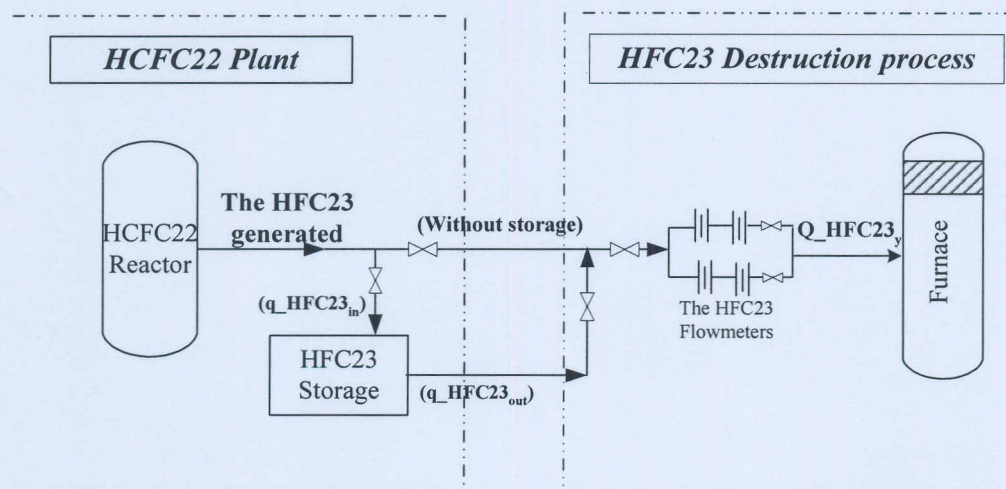
We refer to the requests for review raised by three Board members for CDM project activity "Project for HFC23 Decomposition at Limin Chemical Co., Ltd. Linhai, Zhejiang Province, China" (Ref. no. 0550) and would like to provide our response to the requests for review as follows:

1. *Electricity consumption for the HFC23 storage activity was calculated. Further clarification is required how the DOE verified the calculation in accordance with the PDD and the approved methodology.*

This question will be answered by DOE.

2. *Further clarification is required on the HFC23 generation of 131.7124 MT for this monitoring period which is used in the calculation of the eligible HFC23.*

For better understanding, we use a brief introduction of the gas flow of Limin project (see figures below).



In this monitoring report, the generated HFC23 (131.7124MT) was calculated as follows:

- Quantity of HFC23 decomposed in this monitoring period ($Q_{HFC23,y}$) is 156.0545MT (refers to Appendix 2 in the monitoring report).
- Quantity of HFC23 flow into storage containers ($q_{HFC23,in}$) is 32.94MT and quantity of HFC23 flow out of the storage containers ($q_{HFC23,out}$) is 57.2821MT (refers to

Appendix 9 in the monitoring report).

- Quantity of HFC23 sold/own consumption is 0MT (refers to Appendix 8 in the monitoring report).

HFC23 material balance in this monitoring period is shown in the following table:

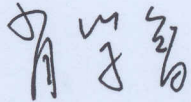
Monitoring period	HFC23 generated in this period	HFC23 sold/own consumption	Reported HFC23 decomposed in the period (Q_HFC23)		HFC23 stored in the period q_HFC23 _{in}
			From facilities storage	From storage q_HFC23 _{out}	
	MT	MT	MT	MT	MT
	A=B+C+E	B	C	D	E
Aug 1, 2007 to Oct 31, 2007	131.7124	0	98.7724 =(156.0545-57.2821)	57.2821	32.94

Note: Reported HFC23 decomposed in the period (Q_HFC23) is supplied separately by the HCFC22 facility and the storage containers as shown in Figure in section 5 in the monitoring report.

Hence, the HFC23 generated in this monitoring period (Aug 1, 2007 to Oct 31, 2007) is 131.7124MT (=0+98.7724+32.94).

We sincerely hope that the CDM EB can accept our clarifications, and approve the request of the issuance of CERs.

Thank you and best regards,



Xiao Xuezhi

Director

Foreign Economic Cooperation Office
Ministry of Environmental Protection